

# XFG1 GRP Fixed HD IP Camera

Ex d, weatherproof,  
fixed camera station



## Overview

The Oxalis XFG fixed camera station has been designed for use in potentially explosive atmospheres and harsh environmental conditions - suitable for use both offshore or onshore, where light weight combined with corrosion resistance is required.

Built upon the proven Eaton MEDC expertise, the housing is made from a UV stable glass reinforced polyester and supplied with a 316L stainless steel mounting bracket ensuring a totally corrosion free product.

With its multiple voltage options, lens choice, worldwide certification and wide operating temperature, the XFG is suitable for most applications.

## Features

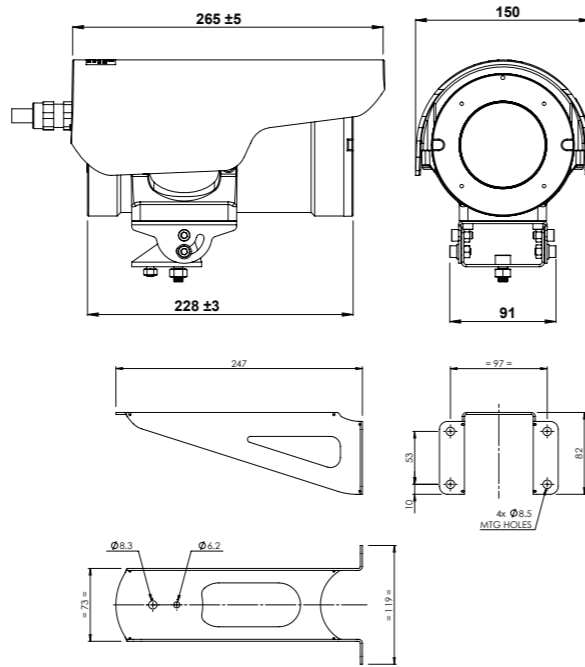
- ATEX, IECEx and CCOE, Zone 1, 2, 21 & 22
- Ex db IIB T4/T5/T6, Ex tb IIIC T135/T100/T85°C
- IP66 and IP67
- Certified and operating temperature range from -60° to +70°C
- Corrosion free GRP
- Supply voltage 12 VDC, 24 VDC, 24 VAC, 220 VAC, PoE
- Optional fibre transmission
- Various cable tail lengths



## Certifications

<b>ATEX Ex d</b>	Cert No. ATEX SGS20ATEX0073X Certified to: EN60079-0, EN60079-1, EN60079-31 Ex II 2GD Ex db IIB T4/T5/T6 Gb, Ex tb IIIC T135/T100/T85°C Db
<b>IECEX Ex d</b>	Cert No. IECEX BAS 20.0031X Certified to: IEC60079-0, IEC60079-1, IEC60079-31 Ex db IIB T4/T5/T6 Gb, Ex tb IIIC T135/T100/T85°C Db
<b>CCOE</b>	Cert No. P542322/1 Ex db IIB T4/T5/T6 Gb, Ex tb IIIC T135/T100/T85°C Db

## General arrangement drawing (all dimensions in mm)



## Specifications

<b>Features</b>	
<b>Body</b>	Flame retardant, UV stable, glass reinforced polyester, 5VA flammability rating
<b>Sun shield</b>	Flame retardant, UV stable, glass reinforced polyester, V0 flammability rating
<b>Camera station window</b>	Toughened glass
<b>Fixings material</b>	316L stainless steel
<b>Integral demister</b>	Standard
<b>IP direct fibre out options</b>	Optional media convertor, simplex/duplex singlemode 9/125µm or multimode 50/125µm, 10/100Mb Ethernet, IEE 802.3
<b>Operating temperature</b>	From -60° to +70°C
<b>Mounting options</b>	Supplied with swivel and wall mounting bracket. Swivel range pan 200°, tilt 15° up, 80° down. (Tilt is interchangeable)
<b>Ingress Protection Rating</b>	IP66, IP67
<b>Weight (kg)</b>	up to 4 kg including sunshield, 6 kg including mounting brackets
<b>Electrical</b>	
<b>Supply voltage options</b>	12VDC, 24VDC, 24VAC, 220 VAC or PoE
<b>Power consumption</b>	12VDC, 24VAC/DC, 13W nominal, (24W @ -20°C, 43W @ -40°C, 63W @ -60°C with low temperature operation). 220VAC 13W nominal (63W @ -20°C, -40°C, -60°C with low temperature operation) POE 10W nominal, (20W @ -20°C, 36W @ -40°C, 52W @ -60°C with low temperature operation)
<b>Cable Entry</b>	Product is supplied with conduit tail, length selectable in order code. Power cables 1mm ≤10m, 1.5mm ≤15m.

## Camera options

<b>22x zoom 3MP HD IP camera</b>	
<b>Image sensor</b>	Progressive scan CMOS 1/2.8"
<b>Resolution</b>	2304 x 1296 @ 30fps
<b>Lens</b>	22x optical zoom 5.2~114.4mm F1.5~F3.8, horizontal angle of view 53.74° - 2.96°
<b>Min. illumination</b>	Colour : 0.002Lux (F1.5, AGC ON), B/W 0.001Lux (F1.5, AGC ON)
<b>Streaming</b>	Triple streams in H.264, H.265
<b>Features</b>	AGC, AE, AWB, TDN, DNR, BLC, EIS, WDR, Defog, OSD, Day & Night Auto Colour/BW (IR-cut with auto switch)
<b>Standards protocols</b>	L2TP, IPv4, IGMP, ICMP, ARP, TCP, UDP, DHCP, PPPoE, RTP, RTSP, DNS, DDNS, NTP, FTP, UPnP, HTTP, SNMP, SIP
<b>33x zoom 3MP network camera</b>	
<b>Image Sensor</b>	Progressive scan CMOS 1/2.8"
<b>Resolution</b>	2304 x 1296 @ 60fps
<b>Lens</b>	33x optical zoom 4.5~148.5mm F1.5~F4.0, horizontal angle of view 62.93° - 3.67°
<b>Min. illumination</b>	Colour : 0.001Lux (F1.5, AGC ON), B/W 0.0005Lux (F1.5, AGC ON)
<b>Streaming</b>	Five streams in H.264, H.265
<b>Features</b>	AGC, AE, AWB, TDN, DNR, BLC, EIS, WDR, Defog, OSD, Day & Night Auto Colour/BW (IR-cut with auto switch)
<b>Standards Protocols</b>	L2TP, IPv4, IGMP, ICMP, ARP, TCP, UDP, DHCP, PPPoE, RTP, RTSP, DNS, DDNS, NTP, FTP, UPnP, HTTP, SNMP, SIP

## Ordering requirements

The following code is designed to help in selection of the correct unit. Build up the reference number by inserting the code for each component into the appropriate box

